

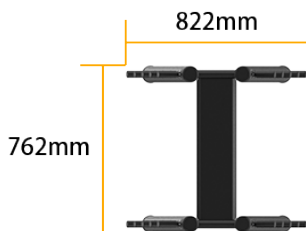
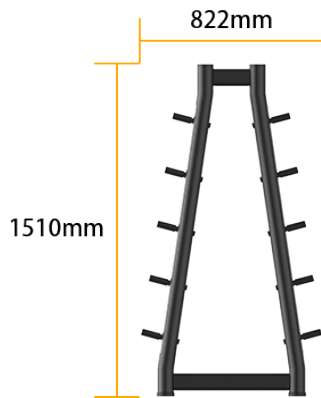
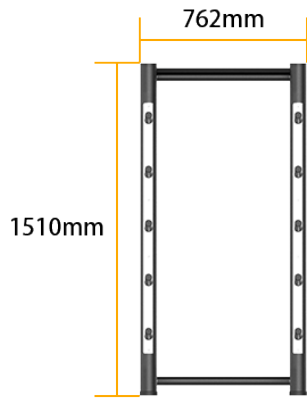
RE60 FREE WEIGHT SERIES**RE6031 - BARBELL RACK****PRODUCT OVERVIEW**

The RE6031 is a heavy-duty barbell storage rack designed for short bar organization in commercial gyms and premium training facilities. Constructed from high-strength carbon steel tubing with anti-rust, electrostatic, and wear-resistant coating, it offers exceptional load-bearing performance and long-term durability. The rack features 10 bar holders (5 on each side), with carefully calculated height and angle to accommodate both empty and fixed-weight barbells. This design prevents interference between bars, ensuring smooth access, stable storage, and a clean, professional training environment.

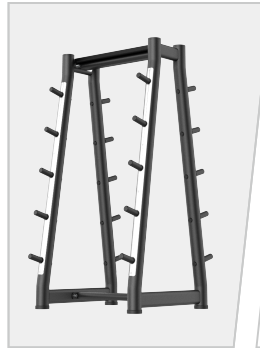
SPECIFICATIONS & KEY FEATURES

Specifications

Dimension:	822*762*1510mm
Total Weight:	62kg



Product Features



Heavy-Duty Structural Design

Made from premium carbon steel tubing to ensure superior strength and stability under heavy use.



Dual-Sided Angled Hook Layout

Scientifically spaced and angled to prevent interference between bars, allowing smooth handling and efficient storage.



Enhanced Durability and Protection

Finished with anti-rust, electrostatic, and abrasion-resistant coatings for extended lifespan and lasting aesthetics.